



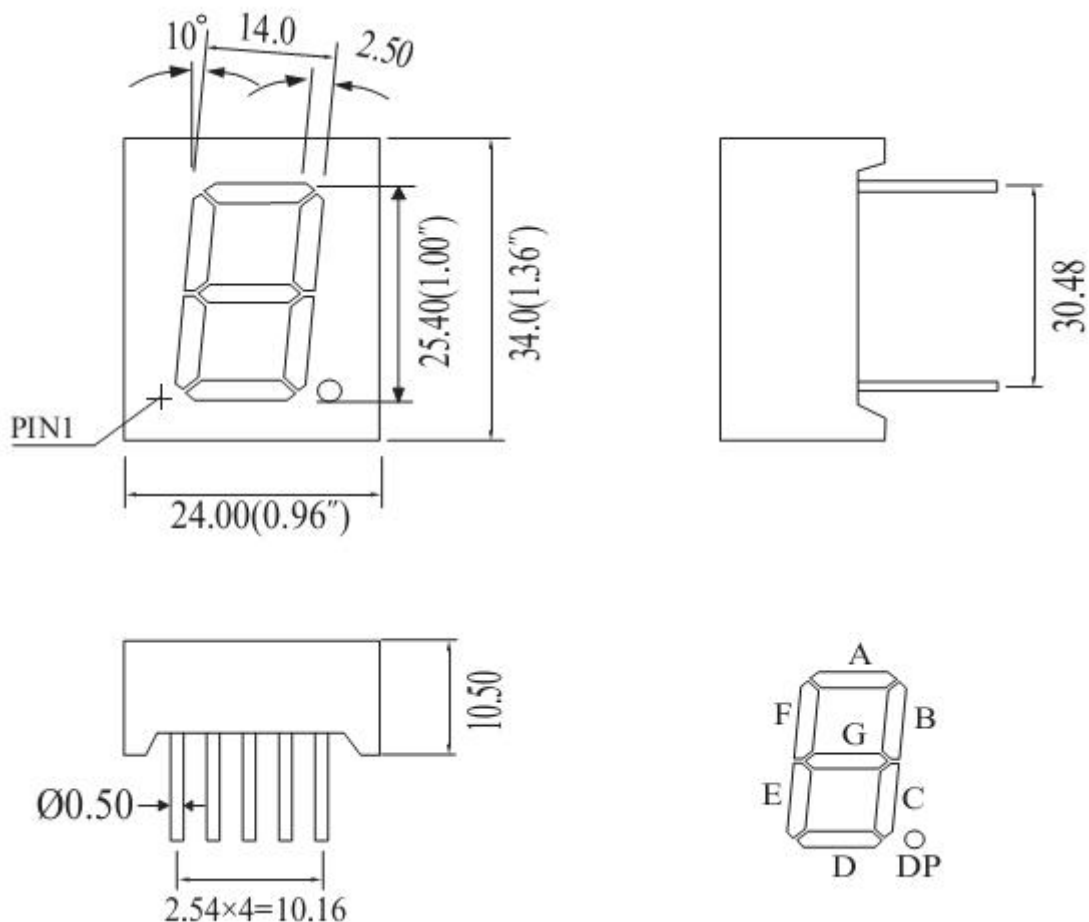
Wuxi Comput Electronics Co.,Ltd

Mail: Sales@compul.cn Web: www.compul.cn

Tel: 86 510 87359088 Fax: 86 510 87359268

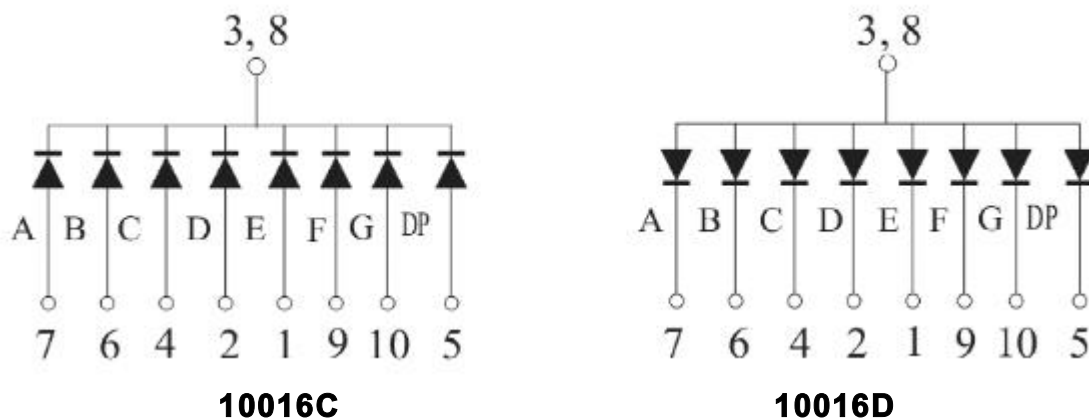
Package Dimensions

CPS10016CD



UNIT: MM(INCH) TOLERANCE: $\pm 0.25(0.01)$ "

Internal Circuit Diagram



10016C

10016D

Single Digital Displays Series

Part Number: CPS10016BYG-11 High Yellow Green

DESCRIPTION

- 25.4mm (1.0") Single digital display series, common anode.
- Standard brightness.
- Low current operation.
- Excellent character appearance.
- Easy mounting on P.C.boards or sockets.

Absolute maximum ratings (Ta=25°C)

| Parameter | Symbol | Test Condition | Value | | Unit |
|-----------------------|--------|----------------|-------|-------|------|
| | | | Min | Max | |
| Reverse Voltage | VR | IR=10uA | 5 | ----- | V |
| Forward Current | IF | VF=4.5V | 15 | 20 | mA |
| Power Dissipation | Pd | VF=4.5V | 502.5 | 670 | mW |
| Operating Temperature | Topr | ----- | -40 | 85 | °C |
| Storage Temperature | Tstr | ----- | -40 | 85 | °C |

Description:

Color Code & Chip characteristics: (Test Condition: IF=20mA)

| Emitting Color | | Dice Material | Peak Wave Length (λP) | Spectral Line halfwidth (λ1/2) | Forward Voltage(VF) | | Luminous Intensity (Iv) Unit:mcd | |
|----------------|-----------|----------------|--------------------------|---------------------------------------|---------------------|------------|--|--------------|
| | | | | | Min | Max | | |
| HR | Red | GaAsP | 640nm | 20nm | 1.8 | 1.9 | 1.85 | 10-12 |
| R | Red | AlGaInP | 632nm | 16nm | 1.9 | 2.4 | 2.1 | 30 |
| UR | Red | AlGaInP | 632nm | 16nm | 1.9 | 2.4 | 2.1 | 40 |
| HYG | YG | GaP | 571m | 20nm | 1.9 | 2.4 | 2.25 | 13 |
| YG | YG | AlGaInP | 572nm | 20nm | 1.9 | 2.4 | 2.25 | 30-40 |
| G | Green | AlGaInP | 520nm | 30nm | 3.0 | 3.4 | 3.2 | 280 |
| B | Blue | AlGaInP | 465nm | 30nm | 3.0 | 3.4 | 3.2 | 50 |
| Y | Yellow | AlGaInP | 588nm | 20nm | 1.9 | 2.4 | 1.9 | 30 |
| A | Amber | AlGaInP | 625nm | 20nm | 1.9 | 2.2 | 2 | 70 |
| O | Orange | AlGaInP | 605nm | 20nm | 1.9 | 2.2 | 2 | 50 |

-XX: Surface / Lens color:

| Number | 0 | 1 | 2 | 3 | 4 |
|-------------------|-------------|-------------------|-----------------|-------------------|--------------------|
| Ref Surface Color | White | Black | Gray | Red | Green |
| Epoxy Color | Water clear | White Diffused | Red Diffused | Green Diffused | Yellow Diffused |